

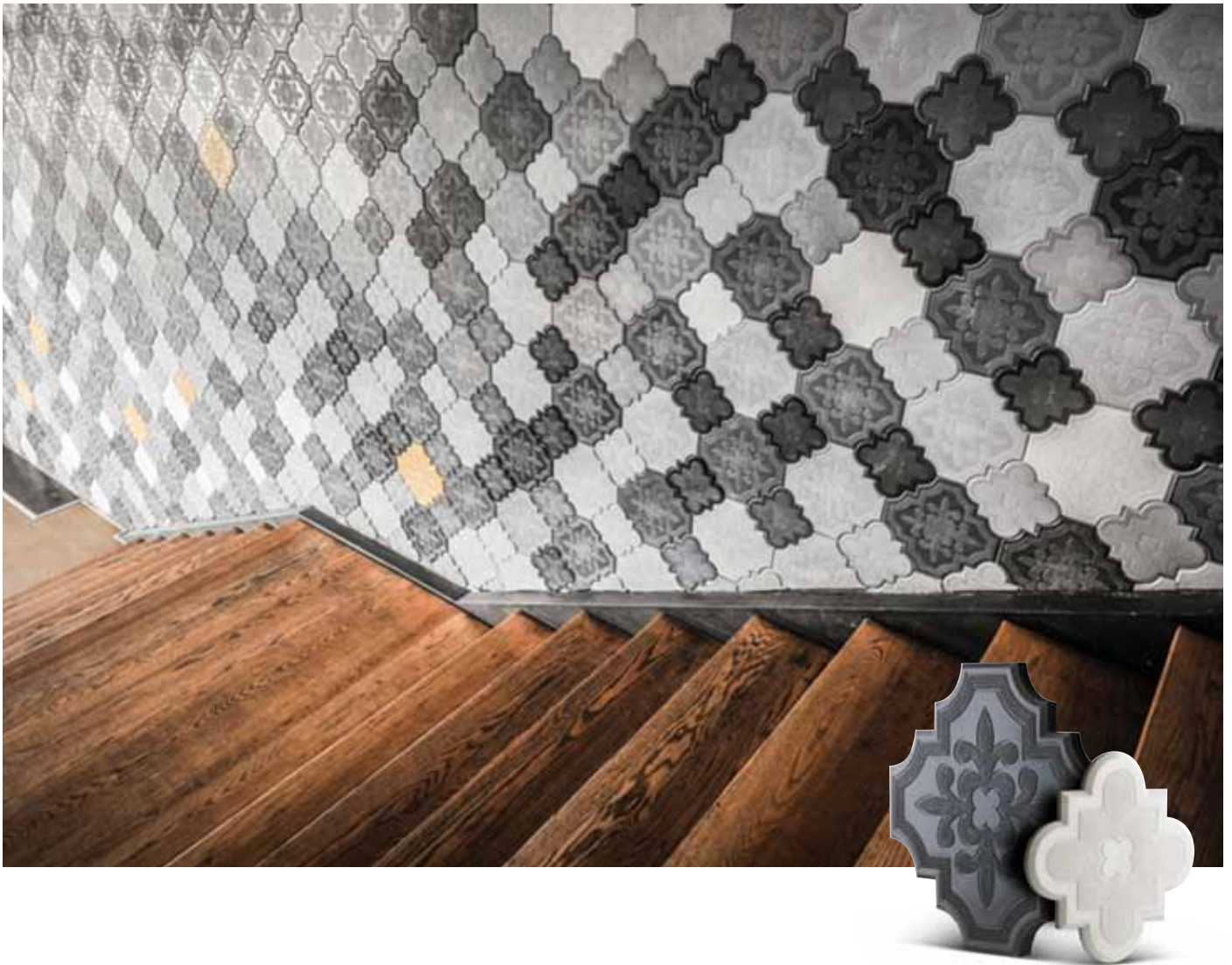


ARCHITECTURAL
CONCRETE
TILE



DESIGNER'S CUTSHEET

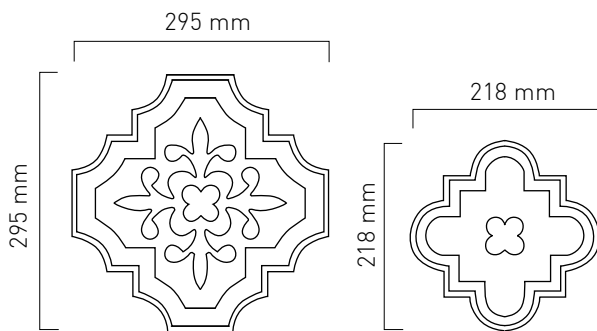
www.exposeconcrete.com



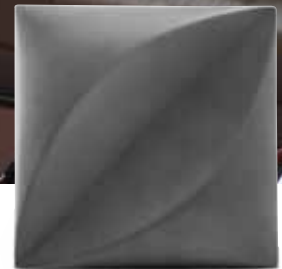
CAST ARCHITECTURAL CONCRETE TILE

PAPUMA SERIES

Made from fiber reinforced high performance EXPOSE Concrete these tiles are available both for exterior and interior usage. Papuma tiles come in 14 different colors and 3 different thicknesses therefore they can be applied for floors, walls or for heavy traffic - your customized covering solution.



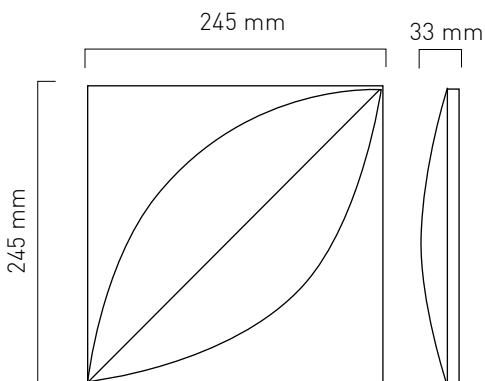
- DIMENSIONS : big: 295 x 295mm
: small: 218 x 218mm
- VOLUME : 22 tiles/m² (big 11 & small 11 tiles)
- THICKNESS : thickness depending on function:
: 13 mm - wall coverings
: 20 mm - interior and exterior floors
: 40 mm - under car traffic
- COLOURS : 14 basic colours are available
- MATERIAL : reinforced, coloured fine composite concrete
- SUITABILITY : interior / exterior use for walls & floor



CAST ARCHITECTURAL CONCRETE TILE

SEBATIK SERIES

Made from fiber reinforced high performance EXPOSE Concrete these tiles are available both for exterior and interior usage. Plaster tiles come in 14 different colors can be applied for wall covering solution.



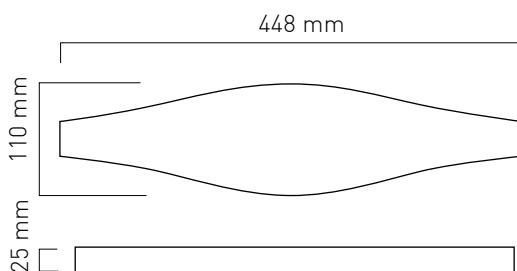
DIMENSIONS : 245 × 245 × 33 mm
 VOLUME : 16 tiles/m²
 THICKNESS : 10 mm on side, highest point 33 mm
 COLOURS : 14 basic colours are available
 MATERIAL : reinforced, coloured fine composite concrete
 SUITABILITY : interior / exterior use for walls



CAST ARCHITECTURAL CONCRETE TILE

BARUNA SERIES

Made from fiber reinforced high performance EXPOSE Concrete these tiles are available both for exterior and interior usage. Plaster tiles come in 14 different colors can be applied for wall covering solution.



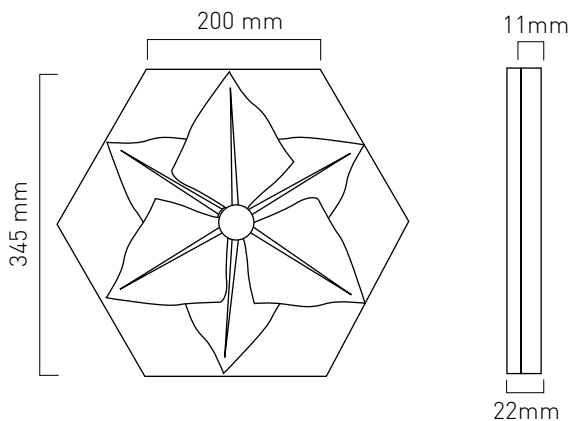
DIMENSIONS : 448 × 110 × 25 mm
VOLUME : 26 tiles/m²
THICKNESS : 25 mm
COLOURS : 14 basic colours are available
MATERIAL : reinforced, coloured fine composite concrete
SUITABILITY : interior / exterior use for walls



CAST ARCHITECTURAL CONCRETE TILE

SENTE SERIES

Made from fiber reinforced high performance EXPOSE Concrete these tiles are available both for exterior and interior usage. Plaster tiles come in 14 different colors can be applied for wall covering solution.



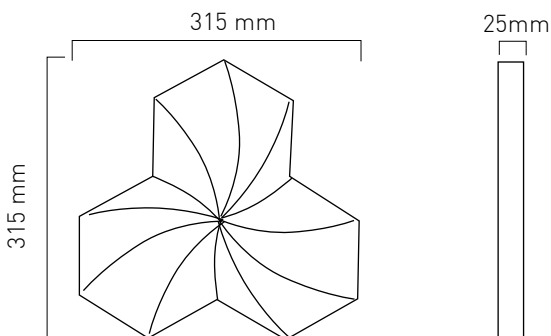
DIMENSIONS : 345 × 200 × 22 mm
VOLUME : 10 tiles/m²
THICKNESS : 11 mm on side, highest point 22 mm
COLOURS : 14 basic colours are available
MATERIAL : reinforced, coloured fine composite concrete
SUITABILITY : interior / exterior use for walls



CAST ARCHITECTURAL CONCRETE TILE

ADONARA SERIES

Made from fiber reinforced high performance EXPOSE Concrete these tiles are available both for exterior and interior usage. Plaster tiles come in 14 different colors can be applied for wall covering solution.



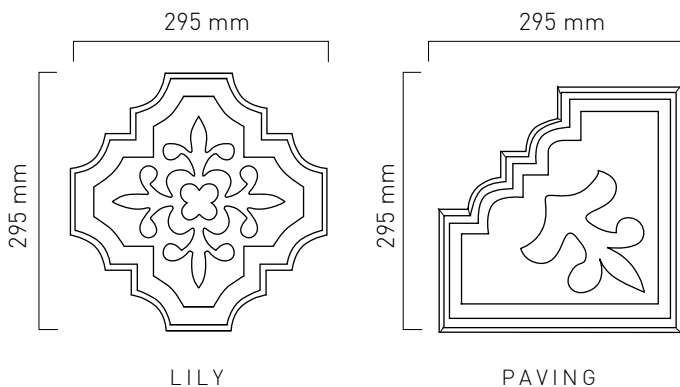
DIMENSIONS : 315 × 315 × 25 mm
VOLUME : 15 tiles/m²
THICKNESS : highest point 17 mm
COLOURS : 14 basic colours are available
MATERIAL : reinforced, coloured fine composite concrete
SUITABILITY : interior / exterior use for walls



CAST ARCHITECTURAL CONCRETE TILE

LILY PAVING SERIES

Made from fiber reinforced high performance EXPOSE Concrete these tiles are available both for exterior and interior usage. Papuma tiles come in 14 different colors and 3 different thicknesses therefore they can be applied for floors, walls or for heavy traffic - your customized covering solution.



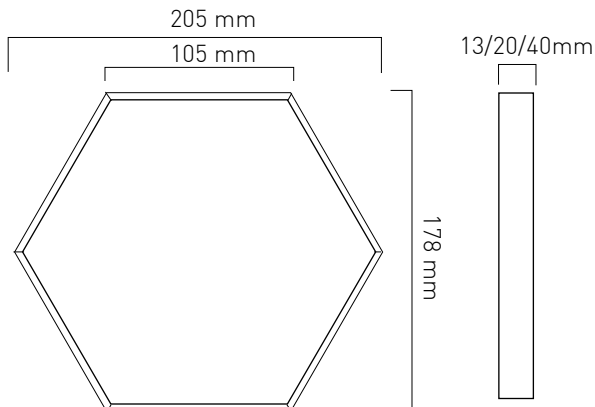
- DIMENSIONS : lily 295 x 295 paving 295 x 295mm
- VOLUME : 15 tiles/m2 (Lily 4 & Paving 11 tiles)
- THICKNESS : thickness depending on function:
 - : 13 mm - wall coverings
 - : 20 mm - interior and exterior floors
 - : 40 mm - under car traffic
- COLOURS : 14 basic colours are available
- MATERIAL : reinforced, coloured fine composite concrete
- SUITABILITY : interior / exterior use for walls



CAST ARCHITECTURAL CONCRETE TILE

HEXA18 SERIES

Made from fiber reinforced high performance EXPOSE Concrete these tiles are available both for exterior and interior usage. Papuma tiles come in 14 different colors and 3 different thicknesses therefore they can be applied for floors, walls or for heavy traffic - your customized covering solution.



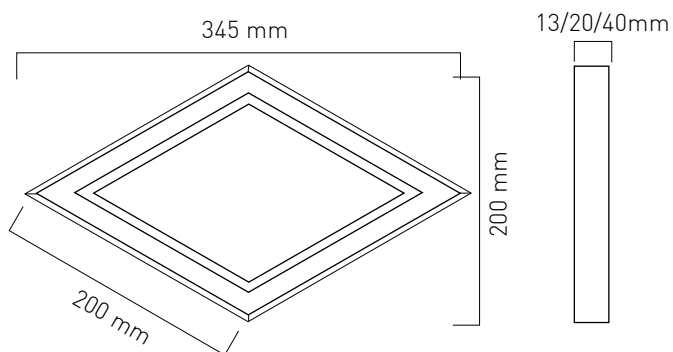
- DIMENSIONS : 205 x 178mm
- VOLUME : 33 tiles/m²
- THICKNESS : thickness depending on function:
 - : 13 mm - wall coverings
 - : 20 mm - interior and exterior floors
 - : 40 mm - under car traffic
- COLOURS : 14 basic colours are available
- MATERIAL : reinforced, coloured fine composite concrete
- SURFACES : smooth & textures
- SUITABILITY : interior / exterior use for walls



CAST ARCHITECTURAL CONCRETE TILE

DIAMOND SERIES

Made from fiber reinforced high performance EXPOSE Concrete these tiles are available both for exterior and interior usage. Papuma tiles come in 14 different colors and 3 different thicknesses therefore they can be applied for floors, walls or for heavy traffic - your customized covering solution.



- DIMENSIONS : 345 x 200mm
- VOLUME : 30 tiles/m²
- THICKNESS : thickness depending on function:
 - : 13 mm - wall coverings
 - : 20 mm - interior and exterior floors
 - : 40 mm - under car traffic
- COLOURS : 14 basic colours are available
- MATERIAL : reinforced, coloured fine composite concrete
- SUITABILITY : interior / exterior use for walls